

S-C-M764B-10- Z23-RT

2T 4MP Microwave AI PTZ Dome
Camera



Features

- ❖ 2 TOPS computing power
- ❖ Supports behavior analysis, crowd flow analysis, target detection, person detection, and vehicle event detection.
- ❖ Supports backlight adaptation, overcast adaptation, and speed adaptation 1/1.8" CMOS sensor
- ❖ Online loading and upgrade of algorithms
- ❖ 120 dB super wide dynamic range (WDR), ensuring that both foreground and background objects are clearly identified in environments with sharp light contrast
- ❖ Supports VideoX
- ❖ Supports solar power supply



Technical Specifications

Model		S-C-M764B-10-Z23-RT
Major Specifications		
Main control	Computing power	2 TOPS
	Memory	DDR4 2.0 GB
	Flash type	SPI NAND FLASH 512.0 MB
	Max capacity	Provides one MicroSD card slot that supports microSDHC /microSDXC (maximum memory card capacity: 256 GB).
Camera	Focal length	6.1-140mm
	Max Aperture	F1.61(W)-F4.13(T)
	Image sensor	1/1.8" CMOS/4MP 2560(H)*1440(V)
	Lens aperture type	P-iris (DC iris+Hall sensor)
	Angle of view	Horizontal:3.4°(T) to 55.4°(W) Vertical:1.9°(T) to 33.0°(W)
	IR range	200m
	Digital zoom	Supported
PTZ	PTZ rotation angle	Pan: 0° ~ 360° Vertical-15° ~ 90°
	Pan speed	Manual: :0.1 to 160°/s Speed for moving to the preset position:240°/s
	Tilt speed	Manual: :0.1 to 30°/s Speed for moving to the preset position:50°/s
	Park action	Supported
	Tour	Supported
	Preset position	256 (including one home position)
	Home position	One home position
Featured functions		
Featured functions	Wireless Transmission	Built-in 15° (horizontal) and 44° (vertical) directional antennas; supports VideoX; uses 5.1–5.8 GHz public frequency bands.
	Sleep And Wakeup	Supports scheduled wakeup
	Solar Power Supply	Supports solar power supply and solar panel management
Intelligence		
Target/Body	Target	Target detection/Target enhancement/Target attribute recognition
	Target recognition	Supported
	Person	Person detection/Personal attribute recognition
Other intelligences	Behavior analysis	Fast movement/Tripwire crossing/Intrusion/Area entry or exit /Loitering
	Crowd flow analysis	Queue length/Head counting/Crowd flow statistics
	Vehicle event detection	Parking violation
	Defocus	Supported



Open ecosystem		
Algorithm openness	Open OS	Supported
Data openness	Data openness	SDK (proprietary protocol)/REST API (proprietary protocol)/GA/T 1400/GB/T 28181 (2011, 2016)

Image		
Codec	Video encoding format	MJPEG/H.264/H.265
	Video encoding channels	Triple streams
	Intelligent encoding	Extra265/264
	Video frame rate	Configurable (30 fps or 25 fps); default value: 25 fps
Image AI	Scene adaptation	Backlight adaptation/Overcast adaptation/Speed adaptation
Image ISP	Min illumination	Color: 0.001 lux (F1.2, AGC ON, 1/30s shutter speed) B/W: 0.0001 lux (F1.2, AGC ON, 1/30s shutter speed)
	Day/Night mode	Supported; automatic (ICR)/Color/B/W; default: automatic Sensitivity level: high (default), medium, and low Image triggering/Internal triggering
	WDR	120dB
	White balance	Auto/Manual/OnePush
	Highlight compensation	Supported
	Digital noise reduction	2D/3D noise reduction
	Defogging	Supported
EIS	Supported; Supports sensitivity levels.	

Networking		
Network transmission	Protocols supported by IPv4	TCP,UDP,IPv4,DHCP,DNS,ICMP,IGMP,HTTPS,FTP,SFTP,RTP,RTSP, RTCP,SIP,ARP,SSL,NTP,SNMP(V1/V2/V3),802.1x,QoS,SMTP
	Protocols supported by IPv6	HTTPS,RTP,RTCP,RTSP,Onvif,IPv6,ICMPv6,DHCPv6

Security		
Data security	Media security	AES256-based SDK stream encryption
	Video digital watermark	Supported
	Image digital watermark	Supported
Service security	User rights	Three user roles: administrator, advanced operator, and common operator
	Security mode	User name and password authentication, 802.1X authentication, and HTTPS digital certificate
	Secure boot	Supported
	System intrusion detection	Supported

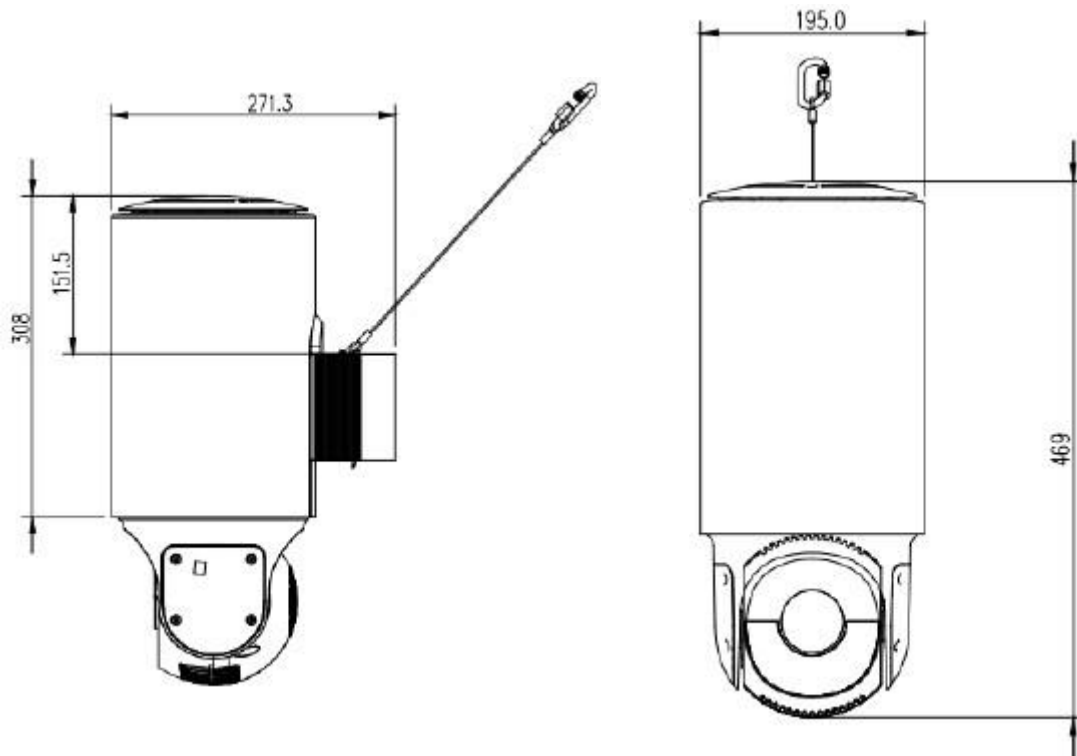


Port	
Storage port	Provides one MicroSD card slot that supports microSDHC/microSDXC (maximum memory card capacity: 256 GB).
Alarm port	4 input port and 2 output port
Network port	One RJ45 10M/100M adaptive Ethernet port
Communication serial port	RS-485 port
Audio port	Supported (one-channel LINE IN or one-channel external MIC)/Supported (one-channel LINE OUT)

General Specifications	
Power type	DC12V(DC10.8V to DC15V)
Power consumption	Maximum: 28.5 W; typical: 11.1W; low power consumption in sleep mode: 1.2W
Operating temperature	-40°C to 60°C
Operating humidity	5% to 95%(non-condensing)
Surge protection	6kV
IP rating	IP66
Equipment Anti Corrosion	Class C corrosion resistance
Weight	Net weight 6.0kg;Gross weight 7.4kg
Dimensions	Device dimensions 195mm×271mm×470mm;Package dimensions 575mm×380mm×320mm



Dimensions



Recommended Accessories



S-C-ACC3631



S-C-ACC3621

