

S-C-M239B-10-TL

2T 9MP ITSAI Bullet Camera



Features

- ❖ 2 TOPS computing power
- ❖ Supports vehicle detection, vehicle event detection, and traffic flow statistics Supports backlight adaptation and overcast adaptation
- ❖ 1" GS CMOS sensor
- ❖ Online loading and upgrade of algorithms
- ❖ Super wide dynamic range (WDR), ensuring that both foreground and background objects are clearly identified in environments with sharp light contrast



Technical Specifications

Model S-C-M239B-10-TL		
Major Specifications		
Main control	Computing power	2 TOPS
	Memory	DDR4 2.0 GB
	Flash type	SPI NAND FLASH 512.0 MB
	Max capacity	MicroSD card slot that supports microSDHC/microSDXC; maximum memory card capacity: 256 GB
Camera	Focal length	12/16/20/25/50/70mm
	Max Aperture	F1.4
	Image sensor	1" GS CMOS/9MP 4096(H)*2160(V)
	Lens aperture type	Manual iris
	Illumination distance	30m
Featured functions		
Featured functions	Wireless Transmission	Supports ad hoc networking of external RTs; supports wireless networks based on 5.1–5.8 GHz public frequency bands.
Intelligence		
ITS	ePolice	Passing vehicle snapshot /Unsafe lane change/Road marking violation /Bus lane violation /Wrong-way driving /Vehicle running-red-light /Traffic light detector /Traffic light recognition /Speeding /Low-speed
	Checkpoint	Passing vehicle snapshot /Wrong-way driving /Speeding/Low-speed /Vehicle statistics
Vehicle	License plate recognition	License plates from the Chinese Mainland/License plates from Hong Kong (China)
	License plate recognition (outside the Chinese)	License plates from Indonesia/License plates from Brazil/License plates from Saudi Arabia/License plates from Ghana
	Vehicle analysis	Vehicle color/Vehicle type/Vehicle model
	Traffic flow statistics	Motor vehicle/Non-motorized vehicle/Pedestrian/Vehicle direction
Other intelligences	Non-motorized vehicle	Supported
	Defocus	Supported
Open ecosystem		
Algorithm openness	Open OS	Supported
Data openness	Data openness	SDK (proprietary protocol)/REST API (proprietary protocol)/GA/T 1400/GB/T 28181 (2011, 2016)



Image		
Codec	Video encoding format	MJPEG/H.264/H.265
	Video encoding channels	Triple streams
	Intelligent encoding	Extra265/264
	Video frame rate	Configurable (25 fps or 30 fps)
Image AI	Scene adaptation	Backlight adaptation/Overcast adaptation
Image ISP	Min illumination	Color: 0.005 lux (F1.2, AGC ON, 1/30s shutter speed); B/W: 0.0025 lux (F1.2, AGC ON, 1/30s shutter speed)
	Day/Night mode	Supported; automatic (ICR), color (default), B/W, and scheduled Sensitivity level: high (default), medium, and low Image triggering /Internal triggering
	WDR	Digital WDR
	White balance	Auto/Manual/OnePush
	Highlight compensation	Supported
	Digital noise reduction	2D/3D noise reduction
	Defogging	Supported
EIS	Supported. Sensitivity levels are not supported.	

Networking		
Network transmission	Protocols supported by IPv4	TCP,IPv4,UDP,DHCP,DNS,ICMP,IGMP,HTTPS,FTP,SFTP,RTP,RTSP,RTCP,SIP,ARP,SSL,NTP,SNMP(V1/V2/V3),802.1x,QoS,SMTP
	Protocols supported by IPv6	HTTPS,RTP,RTCP,Onvif,RTSP,IPv6,ICMPv6,DHCPv6

Security		
Data security	Media security	Stream encryption using the AES128/192/256 encryption algorithm
	Video digital watermark	Supported
	Image digital watermark	Supported
Service security	User rights	Three user roles: administrator, advanced operator, and common operator
	Security mode	User name and password authentication, 802.1X authentication, and HTTPS digital certificate
	Secure boot	Supported
	System intrusion detection	Supported

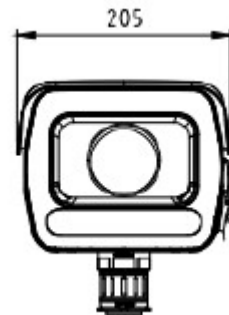
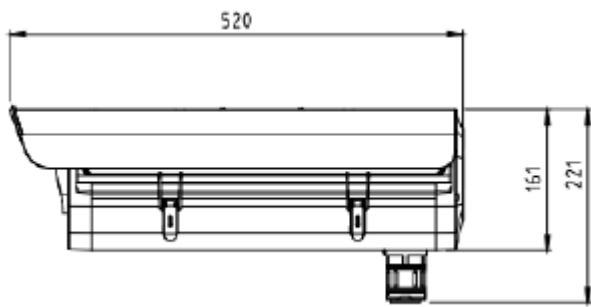


Port	
Storage port	MicroSD card slot that supports microSDHC/microSDXC; maximum memory card capacity: 256 GB
Alarm port	4-channel optocoupler Boolean value output and 1-channel electromagnetic relay output
Network port	Two RJ45 10M/100M/1000M adaptive Ethernet ports
Communication serial port	RS-485 port
Audio port	Supported (one-channel LINE IN or one-channel external MIC)/Supported (one-channel LINE OUT)

General Specifications	
Power type	AC100~240V
Power consumption	Maximum: 52.7 W Typical: 10.9 W
Operating temperature	-40°C to +60°C (illuminator disabled) -40°C to +40°C (illuminator enabled)
Operating humidity	5% to 95% (non-condensing)
Surge protection	6 kV
IP rating	IP65
Equipment Anti Corrosion	Class C corrosion resistance
IK rating	IK08
Weight	Net weight 5.1 kg;Gross weight 6.53 kg
Dimensions	Device dimensions 515 mm x 209 mm x 164 mm;Package dimensions 590 mm x 325 mm x 280 mm



Dimensions



Recommended Accessories



S-C-ACC3282



S-C-ACC3231

