

S-C-M224B-10-QL

2T 4MP Multi-Algorithm Bullet Camera



Features

- ❖ 2 TOPS computing power
- ❖ Supports omni-data structuring, multi-algorithm switchover, behavior analysis, crowd flow analysis, target detection, person detection, object classification, vehicle detection, vehicle event detection, and traffic flow statistics
- ❖ Supports backlight adaptation and overcast adaptation 1/1.8" CMOS sensor
- ❖ Online loading and upgrade of algorithms
- ❖ 120 dB super wide dynamic range (WDR), ensuring that both foreground and background objects are clearly identified in environments
- ❖ Supports switchover among multiple algorithms Supports omni-data structuring



Technical Specifications

Model S-C-M224B-10-QL		
Major Specifications		
Main control	Computing power	2 TOPS
	Memory	DDR4 2.0 GB
	Flash type	eMMC (secondary) + SPI NAND flash (primary) 8704.0 MB
	Max capacity	MicroSD card slot that supports microSDHC/microSDXC; maximum memory card capacity: 256 GB
Camera	Focal length	12-55mm
	Max Aperture	F1.34(W)-F1.51(T)
	Image sensor	1/1.8" CMOS/4MP 2560(H)*1440(V)
	Lens aperture type	P-iris (DC iris+Hall sensor)
	Angle of view	Horizontal:9.2°(T) to 40.3°(W);Vertical:5.3°(T) to 22.8°(W)
	Illumination distance	30m
	Digital zoom	Supported
Intelligence		
Target/Body	Target	Target detection/Target enhancement/Target attribute recognition
	Target recognition	Supported
	Person	Person detection/Personal attribute recognition
Vehicle	License plate recognition	License plates from the Chinese Mainland
	Vehicle analysis	Vehicle color/Vehicle type/Vehicle model
	Traffic flow statistics	Motor vehicle/Non-motorized vehicle/Pedestrian
Other intelligences	Omni-Data Structuring	Supported
	Behavior analysis	Fast movement/Tripwire crossing/Intrusion/Area entry or exit /Loitering
	Crowd flow analysis	Queue length/Head counting/Crowd flow statistics
	Non-motorized vehicle	Supported
	Multi-algorithm switchover	Supported
	Defocus	Supported
Open ecosystem		
Algorithm openness	Open OS	Supported
Data openness	Data openness	SDK (proprietary protocol)/REST API (proprietary protocol)/GA/T 1400/GB/T 28181 (2011, 2016)



Image		
Codec	Video encoding format	MJPEG/H.264/H.265
	Video encoding channels	Triple streams
	Intelligent encoding	Extra265/264
	Video frame rate	Configurable (25 fps or 30 fps)
Image AI	Scene adaptation	Backlight adaptation/Overcast adaptation
Image ISP	Min illumination	Color: 0.001 lux (F1.2, AGC ON, 1/30s shutter speed); B/W: 0.0001 lux (F1.2, AGC ON, 1/30s shutter speed)
	Day/Night mode	Supported; automatic (ICR), color, B/W, and scheduled (default: color); sensitivity level: high (default), medium, and low; image triggering/internal triggering
	WDR	120db
	White balance	Auto/Manual/OnePush
	Highlight compensation	Supported
	Digital noise reduction	2D/3D noise reduction
	Defogging	Supported
EIS	Supported. Sensitivity levels are not supported.	

Networking		
Network transmission	Protocols supported by IPv4	TCP, UDP, IPv4, DHCP, DNS, ICMP, IGMP, HTTPS, FTP, SFTP, RTP, RTSP, RTCP, SIP, ARP, SSL, NTP, SNMP (V1/V2/V3), 802.1x, QoS, SMTP, and PPPoE. Note: The northbound protocol needs to adapt to the PPPoE dialup scenario.
	Protocols supported by IPv6	HTTPS, RTP, RTCP, RTSP, Onvif, IPv6, ICMPv6, DHCPv6

Security		
Data security	Media security	Stream encryption using the AES128/192/256 encryption algorithm
	Video digital watermark	Supported
	Image digital watermark	Supported
Service security	User rights	Three user roles: administrator, advanced operator, and common operator
	Security mode	User name and password authentication, 802.1X authentication, and HTTPS digital certificate
	Secure boot	Supported
	System intrusion detection	Supported

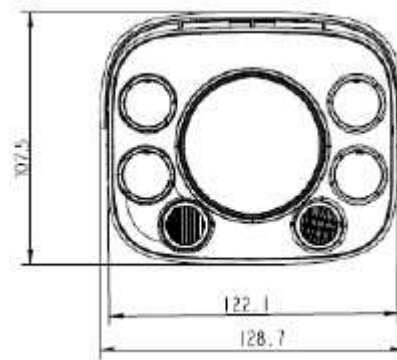
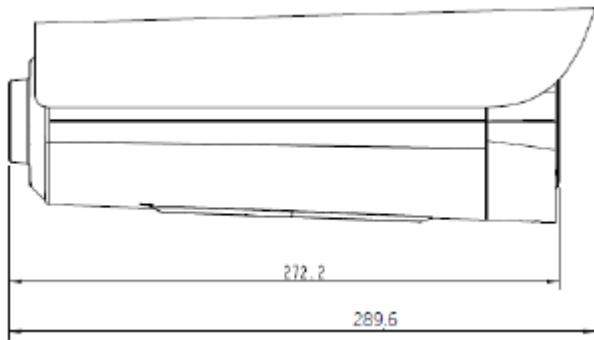


Port	
Storage port	MicroSD card slot that supports microSDHC/microSDXC; maximum memory card capacity: 256 GB
Alarm port	2 input port and 1output port
Network port	One RJ45 10M/100M adaptive Ethernet port
Communication serial port	RS-485 port
Audio port	Supported (one-channel LINE IN or one-channel external MIC)/Supported (one-channel LINE OUT)

General Specifications	
Power type	AC24V,POE(IEEE 802.3at)
Power consumption	Maximum:21.7W,typical:4.8W
Operating temperature	-40°C to +60°C (illuminator disabled); -40°C to +40°C (illuminator enabled)
Operating humidity	5% to 95%(non-condensing)
Surge protection	6kV
IP rating	IP67
Equipment Anti Corrosion	Class C corrosion resistance
IK rating	IK10
Weight	Net weight 2.36kg;Gross weight 2.77kg
Dimensions	Device dimensions 289.6mm×128.7mm×107.5mm;Package dimensions 374mm×200mm×142mm



Dimensions



Recommended Accessories



S-C-ACC3280



S-C-ACC3211



S-C-ACC3282



S-C-ACC3231

