

Delta CCTV System

S-C-D325A-10-I-P (3.6mm)

1T 5MP AI IR Fixed Dome Camera

Indoor Application



Features

1TOPS computing power

Supports behavior analysis, crowd flow analysis, target detection, and person detection

1/2.7" CMOS sensor

120 dB super wide dynamic range (WDR), ensuring that both foreground and background objects are clearly identified in environments with sharp light contrast



Technical Specifications

Model S-C-D325A-10-I-P(3.6mm)		
Major Specifications		
Main control	Computing power	1TOPS
	Memory	DDR3 0.5 GB
	Flash type	SPI NAND Flash 256.0 MB
	Max capacity	MicroSD card slot that supports microSDHC/microSDXC; maximum memory card capacity: 256 GB
Camera	Focal length	3.6mm
	Max Aperture	F1.6
	Image sensor	1/2.7" CMOS/5MP 2560(H)*1920(V)
	Lens aperture type	Fixed iris
	Angle of view	Horizontal: 79.2°; vertical: 57.7°
	IR range	30m
Intelligence		
Target/Body	Target	Target detection/Target attribute recognition
	Person	Person detection
Other intelligences	Behavior analysis	Fast movement/Tripwire crossing/Intrusion/Area entry or exit /Loitering
	Crowd flow analysis	Queue length/Head counting/Crowd flow statistics
	Defocus	Supported
Open ecosystem		
Data openness	Data openness	SDK (proprietary protocol)/REST API (proprietary protocol)/GA/T 1400/GB/T 28181 (2011, 2016)



Image		
Codec	Video encoding format	MJPEG/H.264/H.265
	Video encoding channels	Triple streams
	Intelligent encoding	Extra265/264
	Video frame rate	5-megapixel: 20 fps; < 5-megapixel: 30 fps or 25 fps
Image ISP	Min illumination	Color: 0.005 lux (F1.6, AGC ON); B/W: 0.0025 lux (F1.6, AGC ON) or 0 lux (infrared illuminator enabled)
	Day/Night mode	Supported; automatic (ICR)/Color/B/W (default: automatic) Sensitivity level: high (default), medium, and low Image triggering /Internal triggering
	WDR	120 dB
	White balance	Auto/Manual/OnePush
	Highlight compensation	Supported
	Digital noise reduction	2D/3D noise reduction
	Defogging	Supported
	EIS	Not supported; Sensitivity levels are not supported.

Networking		
Network transmission	Protocols supported by IPv4	TCP, UDP, IPv4, DHCP, DNS, ICMP, IGMP, HTTPS, FTP, SFTP, RTP, RTSP, RTCP, SIP, ARP, SSL, NTP, SNMP (V1/V2/V3), 802.1x, QoS, and PPPoE. Note: The northbound protocol needs to adapt to the PPPoE dialup scenario.
	Protocols supported by IPv6	HTTPS,RTP,RTCP,RTSP,Onvif,IPv6,ICMPv6,DHCPv6

Security		
Data security	Media security	Supports web- or SDK-based media stream encryption; supports a maximum of two channels of encrypted media streams; supports encrypted data storage on SD cards
Service security	User rights	Three user roles: administrator, advanced operator, and common operator
	Security mode	User name and password authentication, 802.1X authentication, and HTTPS digital certificate
	Secure boot	Supported
	System intrusion detection	Supported

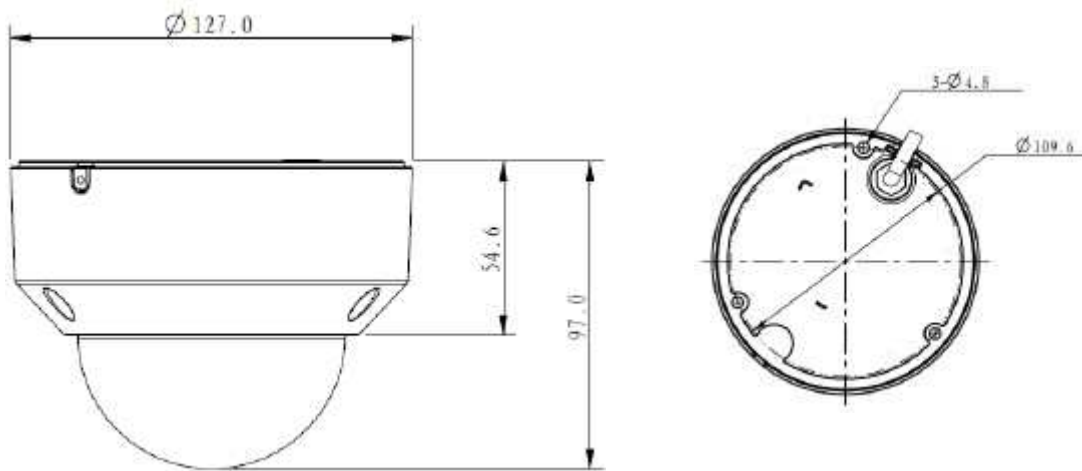


Port	
Storage port	MicroSD card slot that supports microSDHC/microSDXC; maximum memory card capacity: 256 GB
Network port	One RJ45 10M/100M adaptive Ethernet port
Audio port	Supported (one-channel built-in MIC)

General Specifications	
Power type	12 V DC and PoE (IEEE 802.3af)
Power consumption	Maximum: 6 W; typical: 3.3 W
Operating temperature	-30°C to +60°C
Operating humidity	5% to 95% (non-condensing)
Surge protection	4 kV
IP rating	IP67
Equipment Anti Corrosion	Class C corrosion resistance
IK rating	IK10
Weight	Net weight 0.8 kg;Gross weight 1kg
Dimensions	Device dimensions φ 127 mm x 97 mm;Package dimensions 112 mm x 147 mm x 147 mm



Dimensions



Recommended Accessories



S-C-ACC3311



S-C-ACC3321



S-C-ACC3231

