

Delta CCTV System

S-C-D325A-10-I-P (2.8mm)

1T 5MP AI IR Fixed Dome Camera

Indoor Application



Features

- ❖ 1TOPS computing power
- ❖ Supports behavior analysis, crowd flow analysis, target detection, and person detection
- ❖ 1/2.7" CMOS sensor 120 dB super wide dynamic range (WDR), ensuring that both foreground and background objects are clearly identified in environments with sharp light contrast



Technical Specifications

| Model S-C-D325A-10-I-P(2.8mm) | | |
|-------------------------------|---------------------|--|
| Major Specifications | | |
| Main control | Computing power | 1TOPS |
| | Memory | DDR3 0.5 GB |
| | Flash type | SPI NAND Flash 256.0 MB |
| | Max capacity | MicroSD card slot that supports microSDHC/microSDXC; maximum memory card capacity: 256 GB |
| Camera | Focal length | 2.8mm |
| | Max Aperture | F1.6 |
| | Image sensor | 1/2.7" CMOS/5MP 2560(H)*1920(V) |
| | Lens aperture type | Fixed iris |
| | Angle of view | Horizontal: 96.8°; vertical: 70.5° |
| | IR range | 30m |
| Intelligence | | |
| Target/Body | Target | Target detection/Target attribute recognition |
| | Person | Person detection |
| Other intelligences | Behavior analysis | Fast movement/Tripwire crossing/Intrusion/Area entry or exit /Loitering |
| | Crowd flow analysis | Queue length/Head counting/Crowd flow statistics |
| | Defocus | Supported |
| Open ecosystem | | |
| Data openness | Data openness | SDK (proprietary protocol)/REST API (proprietary protocol)/GA/T 1400/GB/T 28181 (2011, 2016) |



| Image | | |
|-----------|--|---|
| Codec | Video encoding format | MJPEG/H.264/H.265 |
| | Video encoding channels | Triple streams |
| | Intelligent encoding | Extra265/264 |
| | Video frame rate | 5-megapixel: 20 fps; < 5-megapixel: 30 fps or 25 fps |
| Image ISP | Min illumination | Color: 0.005 lux (F1.6, AGC ON); B/W: 0.0025 lux (F1.6, AGC ON) or 0 lux (infrared illuminator enabled) |
| | Day/Night mode | Supported; automatic (ICR)/Color/B/W (default: automatic) Sensitivity level: high (default), medium, and low Image triggering /Internal triggering |
| | WDR | 120 dB |
| | White balance | Auto/Manual/OnePush |
| | Highlight compensation | Supported |
| | Digital noise reduction | 2D/3D noise reduction |
| | Defogging | Supported |
| EIS | Not supported; Sensitivity levels are not supported. | |

| Networking | | |
|----------------------|-----------------------------|---|
| Network transmission | Protocols supported by IPv4 | TCP, UDP, IPv4, DHCP, DNS, ICMP, IGMP, HTTPS, FTP, SFTP, RTP, RTSP, RTCP, SIP, ARP, SSL, NTP, SNMP (V1/V2/V3), 802.1x, QoS, and PPPoE. Note: The northbound protocol needs to adapt to the PPPoE dialup scenario. |
| | Protocols supported by IPv6 | HTTPS,RTP,RTCP,RTSP,Onvif,IPv6,ICMPv6,DHCPv6 |

| Security | | |
|------------------|----------------------------|--|
| Data security | Media security | Supports web- or SDK-based media stream encryption; supports a maximum of two channels of encrypted media streams; supports encrypted data storage on SD cards |
| Service security | User rights | Three user roles: administrator, advanced operator, and common operator |
| | Security mode | User name and password authentication, 802.1X authentication, and HTTPS digital certificate |
| | Secure boot | Supported |
| | System intrusion detection | Supported |

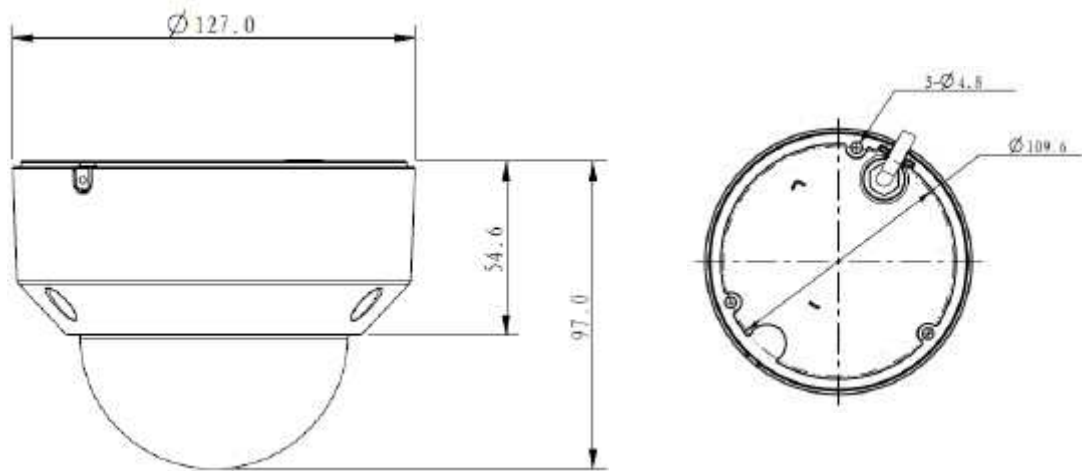


| Port | |
|--------------|---|
| Storage port | MicroSD card slot that supports microSDHC/microSDXC; maximum memory card capacity: 256 GB |
| Network port | One RJ45 10M/100M adaptive Ethernet port |
| Audio port | Supported (one-channel built-in MIC) |

| General Specifications | |
|--------------------------|---|
| Power type | 12 V DC and PoE (IEEE 802.3af) |
| Power consumption | Maximum: 6 W; typical: 3.3 W |
| Operating temperature | -30°C to +60°C |
| Operating humidity | 5% to 95% (non-condensing) |
| Surge protection | 4 kV |
| IP rating | IP67 |
| Equipment Anti Corrosion | Class C corrosion resistance |
| IK rating | IK10 |
| Weight | Net weight 0.8 kg;Gross weight 1kg |
| Dimensions | Device dimensions φ 127 mm x 97 mm;Package dimensions 112mm x 147 mm x 147 mm |



Dimensions



Recommended Accessories



S-C-ACC3311



S-C-ACC3321



S-C-ACC3231

